

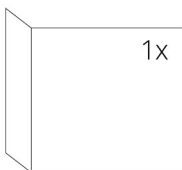
SPECIFICATIONS

Rated thermal input	8 kW
Efficiency	85 %
Smoke flue diameter	180 mm
Min. thrust (under pressure) for rated thermal input	12 Pa
Fuel gas temperature	212 °C
Volume of fuel gas	6 g/s
CO emissions in fuel gas (at 13 % O ₂)	0,0932 %
Dust in the fuel gas (at 13 % O ₂)	16 mg/Nm ³
Volume of fuel per hour	2,54 kg/h
Fuel	wood (beech logs)
Weight	215 kg



LIST OF SPARE PARTS

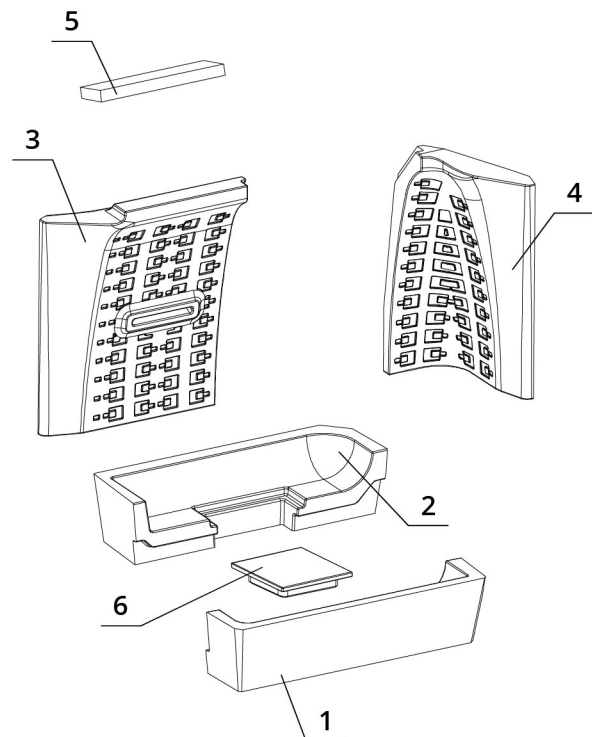
Glass



650 x 330 x 468 mm

Carcon stones

1. Front bottom
2. Back bottom
3. Back
4. Side
5. Deflector
6. Carcon blend



BEF FEEL V 8 CL

BImSchV
Stufe 2

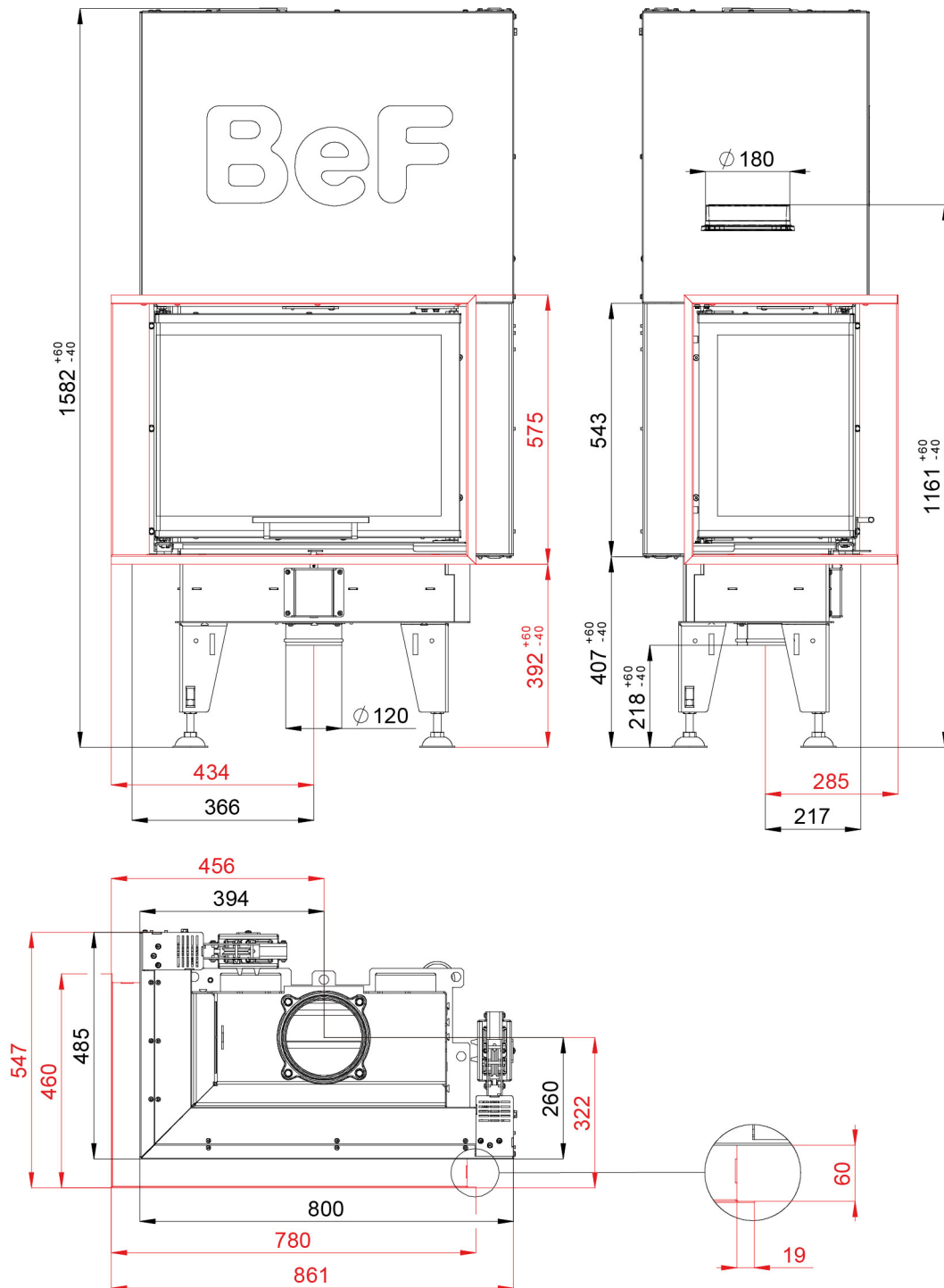
15a
B - VG

ČSN EN
13229

eco
design

www.befhome.com

TECHNICAL DRAWING



BEF FEEL V 8 CL

BlmSchV
Stufe 2

15a
B-VG

ČSN EN
13229

eco
design